



"aira" Offers FEP / PFA lined valves are well suited for consistent performance requirements in highly corrosive applications involving chlorine, benzene, sulphuric acid Nitric Acid, Phosphoric acid, Hydrochloric acid & Sea Water, Virgin grade resin & thick fluoropolymer linings provide for superior resistance to corrosive chemical effects, Absorption & Swelling.

Size Range : 2" to 20" (50 MM to 500 MM)

Butterfly Valve Specification

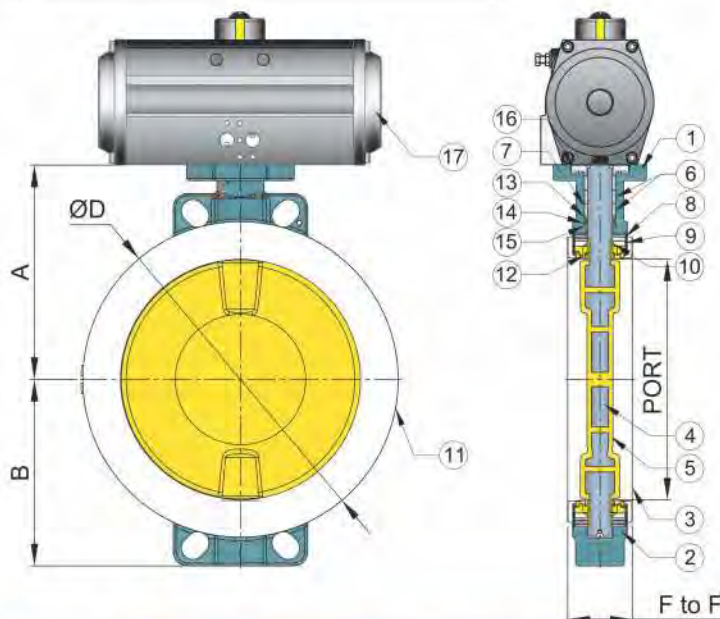
Valve Type	Centric Disc Butterfly Valve with FEP / PFA Lined Body / PTFE
Body Type	Short Wafer (Sandwiched between flanges) Two Piece Design
Seat Type	Muffler
End Connection	Wafer sandwiched (Lug Type On Request)
Pressure Rating	PN 6
Oper. Temp. Range	FEP - 160 °C / PFA - 200 °C
Seat Leakage	Tight Shut Off

Standard

- Design And Manufacturer : API 609 Category A / BS - EN - 593
- Valve Face To Face Dimension : API 609 Category A
- Top Flange Drilling : ISO 5211 II
- Inspection & Testing : API 598 / BS EN 12266 Part - I
- Flange Standard Conformity : 150#
- Spark Test : 15 kv DC

Accessories

- On / OFF Indicator
- NAMUR Standard Solenoid Valve in all Standard Coil Voltage (Flame Proof Solenoid Coil - On Request)
- Pneumatic & Electro-Pneumatic valve positioner
- Declutchable Manual Over - Ride
- Limit Switches for On / Off Indication at Panel Board
- Filter + Regulator Combination with Pressure Gauge
- Air Lock Valve



Dimensions :

Valve Model	Valve Size		A	B	F to F	Weight (Approx.)	
	MM	Inch				S.G. Iron	CF8
THT - 50	50	2"	99.5	67	43.8	4.100	3.550
THT - 65	65	2.1/2"	115	67	47.5	5.750	5.350
THT - 80	80	3"	120	81	46.5	6.200	6.200
THT - 100	100	4"	158	96	54	8.900	7.650
THT - 125	125	5"	168	118	56.3	12.500	9.300
THT - 150	150	6"	198	121	60	15.100	12.650
THT - 200	200	8"	224	165	64	24.900	23.500
THT - 250	250	10"	236	198.8	74	35.150	36.600
THT - 300	300	12"	270	243.5	81	56.700	55.000
THT - 350	350	14"	299.5	260	90	---	---
THT - 400	400	16"	330.5	290	104.5	---	---
THT - 450	450	18"	395	310	116	---	---
THT - 500	500	20"	418.5	340	130	---	---

(All Dimensions are in mm)

Sr. No.	Description	Material
1	Body	C. I. / WCB / CF8 / CF8M / CF3M
2	Body Bottom	C. I. / WCB / CF8 / CF8M / CF3M
3	Muffler	PTFE / FEP
4	Flapper	C. I. / WCB / CF8 / CF8M / CF3M
5	Flapper Molding	PFA / FEP
6	Gland Bush	S. S. 304
7	Gland Bush	PTFE
8	Spring Washer	S. S. 304
9	Thrust Bush	S. S. 304
10	Small Bush	PTFE
11	L. N. Bolt	S. S. 304
12	'O' Ring	Viton
13	Base Seal	PTFE
14	U - Seal	PTFE
15	V - Seal	PTFE
16	Top Plate	S. S. 304

"PTFE SLEEVE" with MIRROR Finish Disc Butterfly Valve

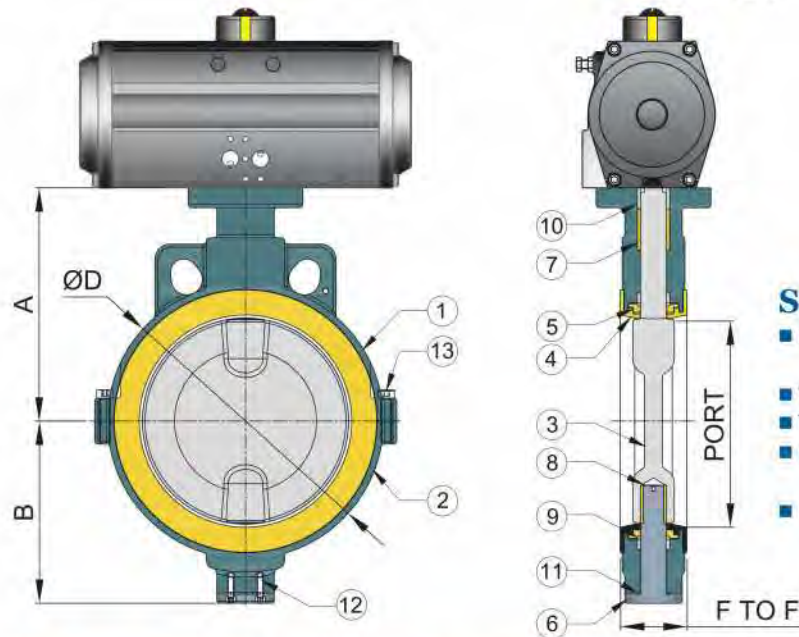
"aira" Offers PTFE lined valves are well suited for consistent performance requirements in highly corrosive applications involving chlorine, benzene, sulphuric acid Nitric Acid, phosphoric acid, hydrochloric acid and sea water. Virgin grade resins and thick fluoropolymer linings provide for superior resistance to corrosive chemical effects, absorption and swelling.

Size Range : 2" to 12" (50 MM to 300 MM)

Butterfly Valve Specification	
Valve Type	Centric Disc Butterfly Valve with PTFE Muffler
Body Type	Short Wafer (Sandwiched between flanges) Two Piece Design
Seat Type	Teflon Sleeve (PTFE)
End Connection	Wafer sandwiched (Lug Type On Request)
Pressure Rating	PN 6
Oper. Temp. Range	180 °C
Seat Leakage	Tight Shut Off

Accessories

- On / OFF Indicator
- NAMUR Standard Solenoid Valve in all Standard Coil Voltage (Flame Proof Solenoid Coil - On Request)
- Pneumatic & Electro-Pneumatic valve positioner
- Declutchable Manual Over - Ride
- Limit Switches for On / Off Indication at Panel Board
- Filter + Regulator Combination with Pressure Gauge
- Air Lock Valve



Standard

- Design And Manufacturer : API 609 Category A / BS EN 593
- Valve Face To Face Dimension : API 609 Category A
- Top Flange Drilling : ISO 5211 II
- Inspection & Testing : API 598 / BS EN 12266 Part - I
- Flange Standard Conformity : ANSI 150, DIN PN 6 / 16

Sr. No.	Description	Material
1	Body	C. I. / WCB / CF8 / CF8M / CF3M
2	Body Bottom	C. I. / WCB / CF8 / CF8M / CF3M
3	Flapper	CF8 / CF8M / CF3M
4	Muffler	PTFE
5	Silicon Seat	Silicon
6	Trunnion Plate with Pin	S. S. 304
7	Bush Big	PTFE
8	Bush	PTFE
9	Bush Small	PTFE
10	Bush S. S.	S. S. 304
11	Ring - PTFE	PTFE
12	Trunnion Plate with Pin Fitting L. N. Bolt	S. S. 304
13	Body Fitting L. N. Bolt	S. S. 304

Dimensions :

Valve Model	Valve Size		A	B	F to F	Weight (Approx.)	
	MM	Inch				S.G. Iron	IC CF8
TECO - 50	50	2"	99.5	65	43	4.100	3.550
TECO - 65	65	2.1/2"	115	65	47.5	5.750	5.350
TECO - 80	80	3"	120	80	46.5	6.200	6.200
TECO - 100	100	4"	158	95	54	8.900	7.650
TECO - 125	125	5"	168	120	57	12.500	9.300
TECO - 150	150	6"	196.25	118.5	59	15.100	12.650
TECO - 200	200	8"	224	165	64	24.900	23.500
TECO - 250	250	10"	236	198.8	72	35.150	36.600
TECO - 300	300	12"	270	243.5	82	56.700	55.000

(All Dimensions are in mm)

Pub. On : October, 2018 (Rev :- 01)